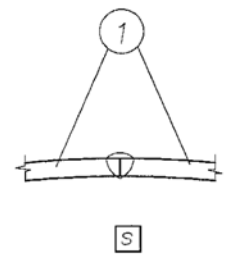
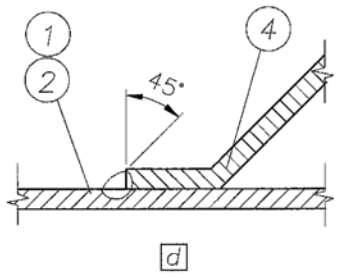
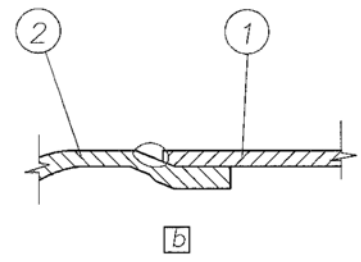
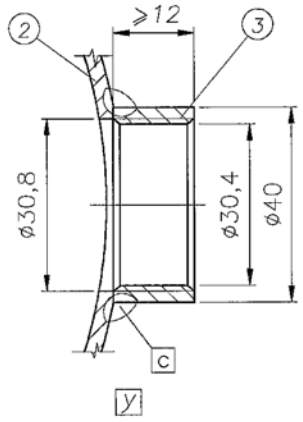
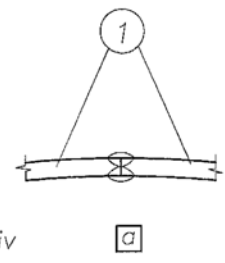


PLAQUE D'IDENTITÉ
(Soudé sur fond ou virole)



Alternativ



| POS./DESCRIP. | MATERIAUX | |
|---------------|-----------|------------|
| | NUANCE | NORME |
| ① VIROLE | S275JR | EN10025 |
| | P265GH | EN10028-2 |
| ② FOND | S275JR | EN10025 |
| | P265GH | EN10028-2 |
| ③ BOSSAGES | SA105 | ASTM SA105 |
| | SA106Gr.B | ASTM SA106 |
| | TUE250b1 | NFA 49-211 |
| | P265GH | EN10216-2 |
| ④ CHARPENT. | S235JR | EN10025 |

| MODES OPERATOIRES DE SOUDAGE | | | |
|------------------------------|---------|---------------------|---------------------|
| | PROCEDE | PROD.D'APPORT | PROTECTION |
| s a | U.P. | S1 DIN8557 Ø1.98 | FLUX LINCOLN 780 |
| b | | | |
| c e | M.A.G. | SG2 DIN8559 Ø1 | Ar+CO ₂ |
| d g | | | |

| | | | |
|---------------------------------|---|--------------------------|--------------------------|
| 00 | PREMIER EMISSION | 06/11/2013 | |
| IND. | OBJECT DE MODIFICATION | DATE | SIGNATURE |
| SRL AIR COM S.Pietro Mesezzo | RECIPIENT A PRESSION SIMPLE SELON DIRECTIVE 2009/105/CEE | | FAMILY : NN DWG NN000 |
| | PE = 1.5 PS | Tmin. -10°C Tmax. +100°C | |
| SUREP. DE CORROSION C=0.4 mm | | | CODE: CODAP 2000 |

FAMILLE NN

LISTE DES VARIANTES

| VARIANTES | CAP. | D. | PS | PE | Trou V. | A | B | H | c | h | r | R |
|-----------|------|-----|----|------|---------|------|------|-----|----|-----|---|---|
| NN090X | 90 | 446 | 11 | 16,5 | X | 668 | 404 | 132 | 18 | 114 | | |
| NN090Z | 90 | 446 | 11 | 16,5 | Z | 668 | 404 | 132 | 18 | 114 | | |
| NN100X | 100 | 446 | 10 | 15 | X | 744 | 480 | 132 | 18 | 114 | | |
| NN100Z | 100 | 446 | 10 | 15 | Z | 744 | 480 | 132 | 18 | 114 | | |
| NN101X | 100 | 446 | 11 | 16,5 | X | 744 | 480 | 132 | 18 | 114 | | |
| NN101Z | 100 | 446 | 11 | 16,5 | Z | 744 | 480 | 132 | 18 | 114 | | |
| NN150X | 150 | 446 | 11 | 16,5 | X | 1064 | 800 | 132 | 18 | 114 | | |
| NN150Z | 150 | 446 | 11 | 16,5 | Z | 1064 | 800 | 132 | 18 | 114 | | |
| NN200X | 200 | 446 | 11 | 16,5 | X | 1364 | 1100 | 132 | 18 | 114 | | |
| NN200Z | 200 | 446 | 11 | 16,5 | Z | 1364 | 1100 | 132 | 18 | 114 | | |
| NN201X | 200 | 500 | 11 | 16,5 | X | 1183 | 875 | 154 | 20 | 134 | | |
| NN201Z | 200 | 500 | 11 | 16,5 | Z | 1183 | 875 | 154 | 20 | 134 | | |
| NN300X | 300 | 500 | 10 | 15 | X | 1608 | 1300 | 154 | 20 | 134 | | |
| NN300Z | 300 | 500 | 10 | 15 | Z | 1608 | 1300 | 154 | 20 | 134 | | |
| NN250X | 250 | 500 | 11 | 16,5 | X | 1358 | 1050 | 154 | 20 | 134 | | |
| NN250Z | 250 | 500 | 11 | 16,5 | Z | 1358 | 1050 | 154 | 20 | 134 | | |
| NN270X | 270 | 500 | 11 | 16,5 | X | 1458 | 1150 | 154 | 20 | 134 | | |
| NN270Z | 270 | 500 | 11 | 16,5 | Z | 1458 | 1150 | 154 | 20 | 134 | | |
| NN251X | 250 | 446 | 11 | 16,5 | X | 1414 | 1150 | 132 | 18 | 114 | | |
| NN251Z | 250 | 446 | 11 | 16,5 | Z | 1564 | 1300 | 132 | 18 | 114 | | |
| NN202X | 200 | 500 | 11 | 16,5 | X | 1108 | 800 | 154 | 20 | 134 | | |
| NN202Z | 200 | 500 | 11 | 16,5 | Z | 1108 | 800 | 154 | 20 | 134 | | |

AIR COM

SAN PIETRO MOSEZZO - ITALY

RECIPIENT A PRESSION SIMPLE

SELON DIRECTIVE 105.2009.CE

REVISION: 0